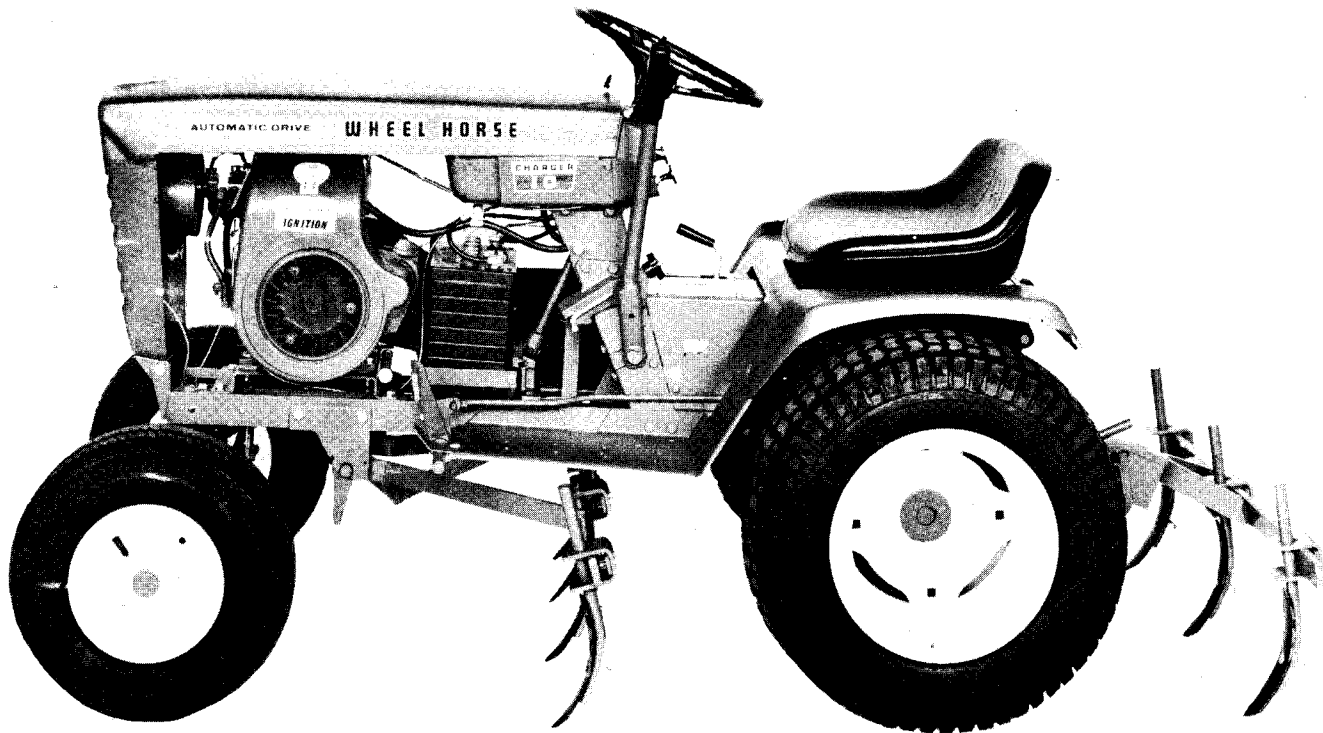


PARTS LIST AND INSTRUCTIONS



2 SECTION CULTIVATOR 7-1722

WHEELHORSE PRODUCTS, INC. • SOUTH BEND, IND.



HITCH REQUIREMENTS:

All tractors will require a speed hitch for mounting the front frame. Use 8-5211 or the speed hitch provided with rotary mowers may also be used.

A rear hitch must be used to mount the rear frame. All models prior to 1969 have a slot type rear hitch provided. On 1969 models two rear hitches are available, Model 8-5511 - Type A clevis or 8-5521 slot type.

Mount the hitches needed to the tractor according to the instructions provided with the hitch accessory.

ASSEMBLY

1. Slide front frame ass'y. Part No. 5579 under tractor with lift bar pivot arm down. Lift the cross shaft into slots in speed hitch and close latch. Secure latch in closed position with hairpin cotter through hole in L.H. plate as shown in Fig. 1.

2. With the long section of the lift arm ass'y. Part No. 5581 pointed forward, place it in the hole of the front frame ass'y. and secure with hairpin cotter Part No. 933505-4. Place the other end into the first hole of the tractor lift lever and secure with hairpin cotter.

The two short standards (Part 7659) are required on the front frame, two inside shovels, on the Raider and Charger models.

3. If the tractor is equipped with a slot type hitch insert the tongue into the slot and secure with the tool pin.

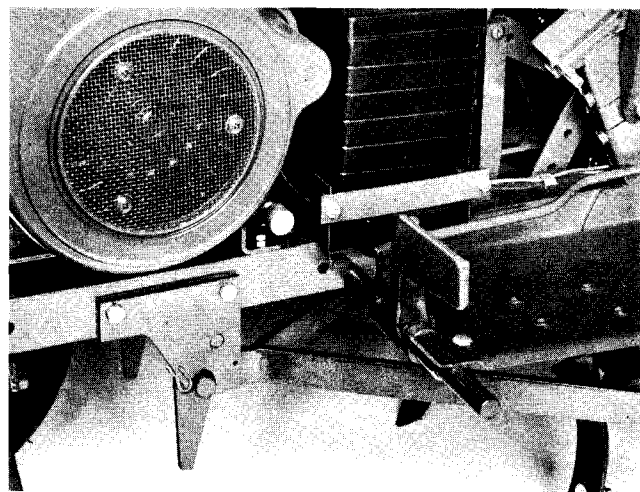


FIGURE 1

If the tractor is equipped with a clevis type hitch attach the frame to the hitch as shown in Fig. II. Tighten the hex bolts against the stabilizer plate to make the frame rigid.

4. Install and adjust shovel standards and shovels to desired cultivating depth.

The depth is adjusted by moving the standards up or down. Make sure screws on the clamps are tight.

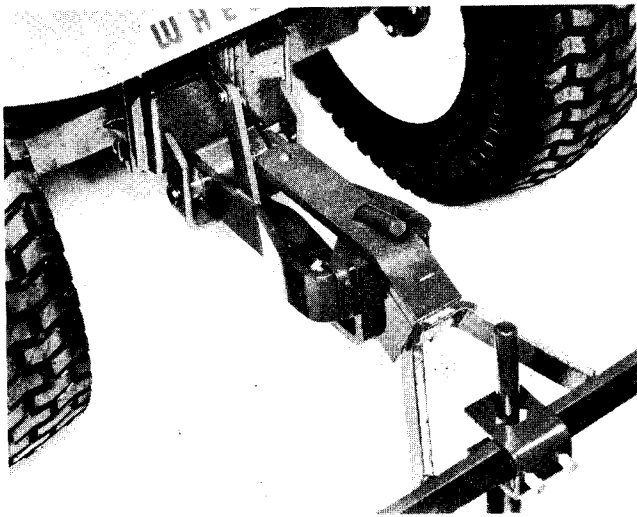


FIGURE II

Under normal use cultivator should be set to cultivate 2" to 3" deep, so as not to dry soil out, or only deep enough to cut weeds.

Under extreme conditions when soil is hard, pressure may be applied to front bar by resting feet on frame.

Weights may be added to rear frame as desired.

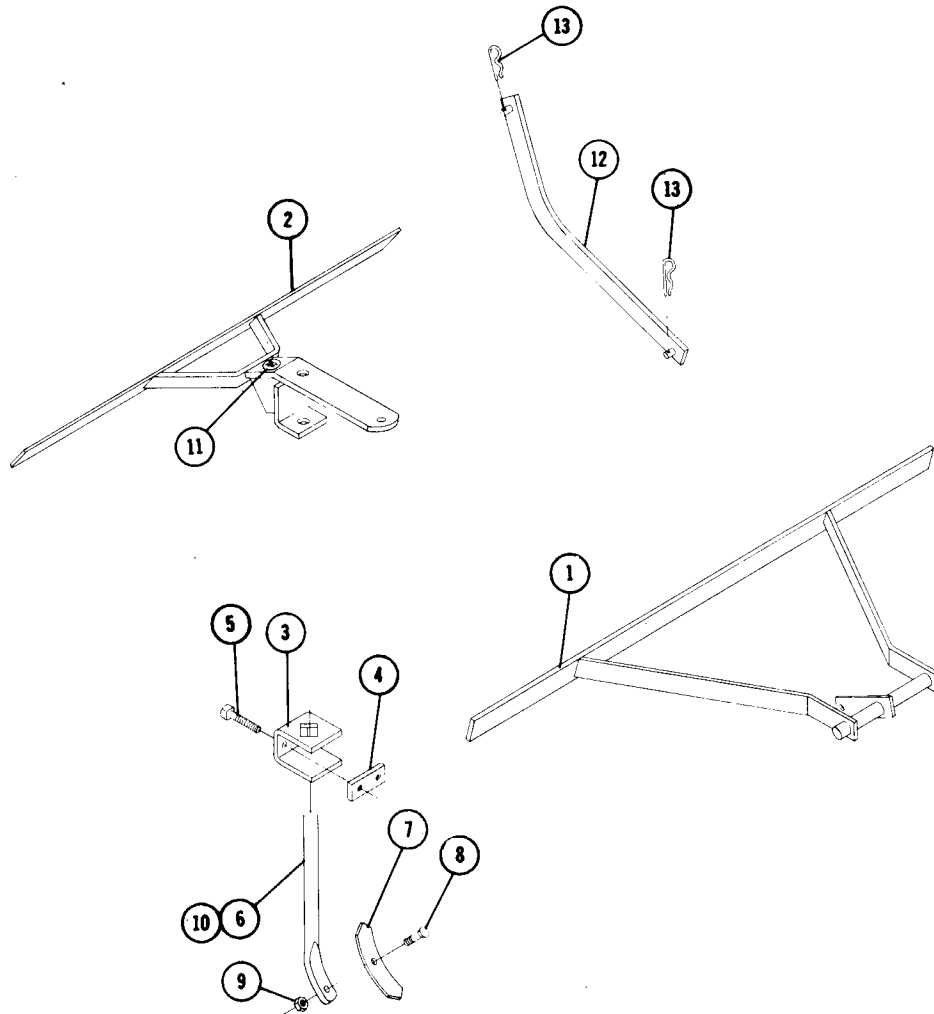
OPERATION

First decide whether or not cultivator is going to be used between the rows or to straddle them.

If it is to be used between the rows, place (4) shovels on the front frame equally spaced with one on each end.

Place (3) shovels on back frame, (1) in center and one directly behind each wheel.

When straddling rows eliminate the center shovel on the rear and set the (2) middle shovels on front frame beside the row. Be careful not to set too close to avoid cutting roots off of plant.



PARTS LIST FOR 2 SECTION CULTIVATOR 7-1722

(Specifications subject to change without notice.)

Item No.	Part No.	Description	No. Req'd.	Item No.	Part No.	Description	No. Req'd.
1	5579	Frame Ass'y. — Front	1	8	901636-4	Plow Bolt $\frac{3}{8}$ -16 x $1\frac{1}{2}$	7
2	8742	Frame Ass'y. — Rear	1	9	915113-6	Nut $\frac{3}{8}$ -16 Hex	7
3	1907	Clamp	1	10	7659	Standard — Short	2
4	1911	Plate	1	11	4581	Decal — Round Horse Head	1
5	909555	Set Screw $\frac{3}{8}$ -16 x $1\frac{1}{4}$ Square Head	2	12	5581	Lift Link	1
6	1952	Standard — Long	5	13	933505-4	Hairpin Cotter	2
7	3358	Shovel	7				